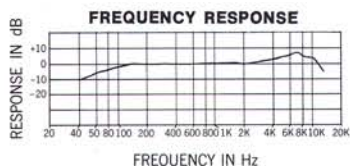




**SONY MODEL ECM-16
TIE-CLASP/LAPEL CONDENSER MICROPHONE**

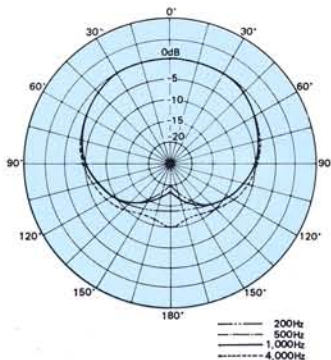
Ideal for teachers, lecturers, clergymen, and others who require an unobtrusive microphone for high-quality sound reinforcement or recording purposes, the tiny ECM-16 features the superior performance of condenser design at a surprisingly low price. Comes complete with tie-clasp mount and battery, and is fitted with a mini plug.



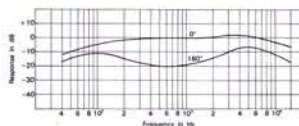
**SONY MODEL ECM-18
CARDIOID CONDENSER MICROPHONE**

This is the world's lowest priced condenser microphone! The new, easy-to-afford ECM-18 brings professional quality sound pick-up to all home and hobby recording applications. Superbly finished in textured, brushed aluminum, the ECM-18 comes with built-in windscreen, desk stand, and protective cover.

DIRECTIVITY CHARACTERISTICS



FREQUENCY RESPONSE

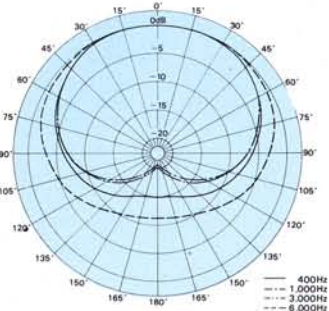


**SONY MODEL ECM-33P
CARDIOID CONDENSER MICROPHONE**

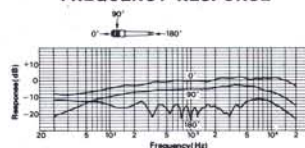
The exceptional Sony ECM-33P is ideal for professional recording studios and the serious amateur. Features of the ECM-33P include a Low-Cut Filter to optimize tone quality and an 8 dB Pad Switch that prevents an overload of the microphone impedance translator due to excessive high levels of input. This enables you to record high levels without distortion. Finished in textured, brushed aluminum, the ECM-33P operates on either an internal battery or an external power supply*. And the ECM-33P's windscreen protects the microphone from shock, moisture and dust; virtually eliminates pops and hisses; and reduces wind noise in outdoor recording situations. Comes complete with a swivel mount stand adapter, windscreen, vinyl case, and a 20-foot cadmium-bronze, two-conductor shielded cable.

*Sony AC-148A power supply is recommended.

DIRECTIVITY CHARACTERISTICS



FREQUENCY RESPONSE

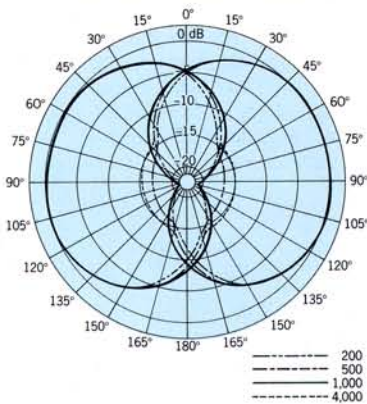




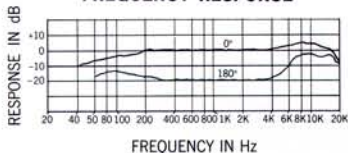
SONY MODEL ECM-99 ONE-POINT STEREO CONDENSER MICROPHONE

Actually two condenser microphones in one, the new ECM-99 lets you add the excitement of true stereo sound to your home and hobby recording with just one microphone unit. And this convenience is matched by a unique combination of great performance and low price. Finished in textured, brushed aluminum, the ECM-99 comes complete with a swivel mount stand adapter, 20-foot twin-plug cable, 1.5 volt battery, and vinyl case.

DIRECTIVITY CHARACTERISTICS



FREQUENCY RESPONSE



SONY MODEL ECM-170 CONDENSER MICROPHONE

Wide frequency response makes the ECM-170 ideal for live music recording of large ensembles such as bands or orchestras or of instruments — such as the organ — where clarity and sharp definition are required for very high as well as very low frequencies. The ECM-170 is omni-directional — that's best for recording conferences, musical or dramatic presentations, where several participants must use one mic. A voice/music switch adjusts frequency response accordingly. Two-conductor shielded cable, accessory wind screen and microphone holder included.



SONY MODEL ECM-220 CONDENSER MICROPHONE

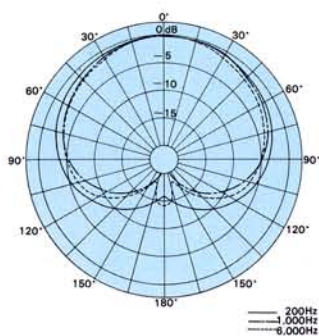
Add the versatility, convenience and sensitivity of the ECM-220 to your live sessions — for high-quality home recordings. Wide frequency response makes the ECM-220 great for "live" music pick-up. There's an on/off switch for extra convenience, and dual output impedance switching permits use with a wider variety of tape recorders and public address systems. Built-in windscreen minimizes breath sounds, allowing for cleaner, more noise-free outdoor recordings. Comes with microphone holder, battery and audio cable.



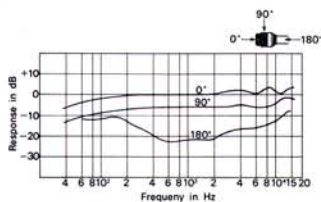
**SONY MODEL ECM-250
CARDIOID CONDENSER MICROPHONE**

The Sony ECM-250 Cardioid Condenser Microphone from Superscope is an excellent choice for the hobbyist who desires to upgrade his tape recordings by employing a condenser microphone instead of a dynamic. The ECM-250 offers extremely accurate reproduction. Frequency response characteristics are excellent with only 1% distortion at maximum rated Sound Pressure Level. The ECM-250 also features FET electronics to insure low noise, high sensitivity, and stable performance. In addition, a built-in windscreen combines with the uni-directional pick-up pattern to minimize background noises and pops. This windscreen also protects from moisture and dust, making the versatile ECM-250 ideal for outdoor recording. Comes with battery, mic stand adapter, cable and carrying case.

DIRECTIVITY CHARACTERISTICS



FREQUENCY RESPONSE



**SONY MODEL ECM-270
CONDENSER MICROPHONE**

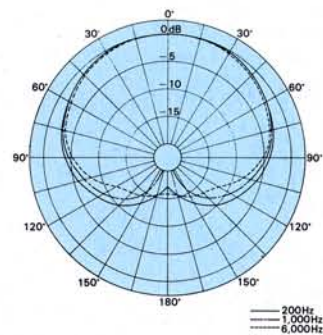
Your home recordings will sparkle with new brilliance and realism once you start using the ECM-270 uni-directional low impedance microphones. Broad frequency response assures full-fidelity pickup of live musical performances. Light weight (just 4.4 ounces) makes the ECM-270 ideal for stage, night club and other situations where a performer needs a compact, high-quality microphone. Included with mic: accessory windscreen, microphone holder and cable.



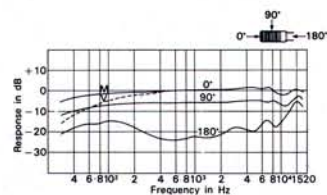
**SONY MODEL ECM-280
CARDIOID CONDENSER MICROPHONE**

The Sony ECM-280 Cardioid Condenser Microphone from Superscope brings studio-quality sound within reach of serious recording hobbyists. The bass roll-off switch, a professional feature usually found only on the most sophisticated microphones, attenuates excessive low frequencies, which tend to dominate the recorded sound. In close micing situations, pops and hisses are virtually eliminated by the built-in windscreen. Furthermore, an additional removable windscreen works in conjunction with the microphone's unidirectional pick-up pattern to provide outdoor recordings that are free from wind and background noise. For added reliability, this professional-style Sony microphone incorporates FET electronics that insure low noise, high sensitivity, and stable performance. Comes with battery, mic stand adapter, cable and carrying case.

DIRECTIVITY CHARACTERISTICS



FREQUENCY RESPONSE



Sony Condenser Microphones

Models:	ECM-16	ECM-18	ECM-33P	ECM-99	ECM-170	ECM-220	ECM-250	ECM-270	ECM-280
DIRECTIONAL CHARACTERISTICS	OMNI	CARDIOID	CARDIOID	DUAL CARDIOID	OMNI	UNI	CARDIOID	UNI	CARDIOID
FREQUENCY RESPONSE (Hz)	50 to 13K	50 to 12K	40 to 15K	50 to 12K	20 to 16K	50 to 12K	50 to 14K	40 to 16K	30 to 18K
OUTPUT IMPEDANCE (Ohms)	600	250	250 BALANCED	600	200	200/10K	200	200	200
OUTPUT LEVEL* (dB)	-57.8	-56.8	-54	-53	-56	-57/-41	-57	-57	-56
MAXIMUM SOUND PRESSURE LEVEL (dB)	126	126	134	126	126	126	126	126	128
DISTORTION AT MAXIMUM SPL (%)	1	1	1	1	1	1	1	1	1
BATTERY TYPE**	S76 SILVER OXIDE	AA	E-126	C	1015	1015	1015	1015	AA1015
OPERATING VOLTAGE (Volts)	1.1 to 1.5	1.1 to 1.5	24 to 54 EXTERNAL	1.1 to 1.5	1.1 to 1.5	1.1 to 1.5	1.1 to 1.5	1.1 to 1.5	1.1 to 1.5
CURRENT CONSUMPTION (μA)	50	130	500	260	130	130	130	130	200
BATTERY LIFE (Hours Continuous)	4000	10,000	1,000	20,000	10,000	10,000	10,000	10,000	6500
DIMENSIONS (Diameter/Length)	$\frac{9}{16}$ "/ $\frac{19}{16}$ "	$1\frac{3}{4}$ "/ $6\frac{1}{2}$ "	$1\frac{1}{16}$ "/ $6\frac{15}{16}$ "	$1\frac{11}{64}$ "/ $7\frac{5}{8}$ "	1"/6"	1"/7"	$1\frac{1}{2}$ "/6"	$\frac{7}{8}$ "/6"	1"/6"
WEIGHT (Ounces)	1.09	5.3	6.5	10	5.6	9.6	5.1	4.4	5.1

*0dB = 1 Volt/10 μ Bar @ 1 kHz.

**Number indicates Eveready model number.

1078-014F Models and specifications subject to change without notice. Litho in U.S.A.

Brought to you by

 8150 Vineland Ave. • Sun Valley, Calif. 91352